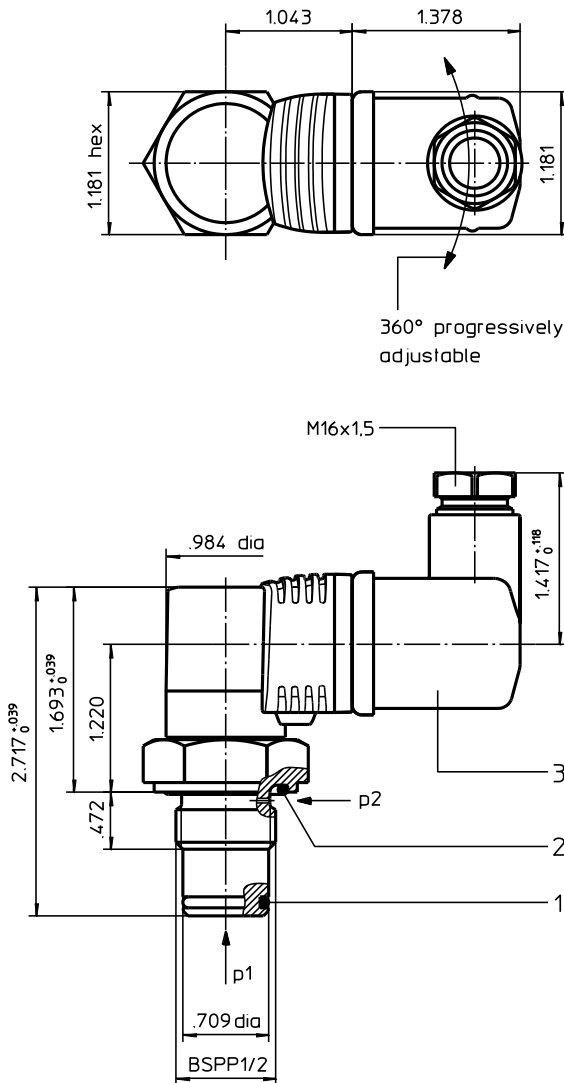


CLOGGING INDICATOR

Series AE (electrical / visual-electrical, thread execution)

Sheet No.
1615 S



1. Clogging indicator AE

1.1. Type index: (ordering example)

AE. 30. 1,5. P. - . -

1	2	3	4	5	6
---	---	---	---	---	---

1 series:

AE = clogging indicator, electrical / visual-electrical

2 version:

30-90 = see table below

3 indicator-pressure difference: Δp -nominal

0,6 = 9 PSI
0,8 = 12 PSI
1,5 = 22 PSI
2,5 = 36 PSI
5,0 = 73 PSI

4 sealing material:

P = Nitrile (NBR)
V = Viton (FPM)

5 material:

- = standard (aluminium)
VA = stainless steel

6 execution:

- = standard

2. Technical data:

temperature ranges
- operating temperature: +14°F to +176°F
(for a short time +212°F)
- resistant to compression: -22°F to +212°F
- survival temperature: -40°F to +212°F
max. operating pressure: 6000 PSI (stainless steel)
3200 PSI (aluminium)
max. pressure difference: 2320 PSI
fatigue strength: max. 1 Mio load cycles for aluminium

Version	luminous indication	contact	voltage	max. rupturing capacity (resistive load)	max. switching current (resistive load)	connection protection
30	-	contact maker and contact breaker	max. 175V DC max. 125V AC	10 Watt/VA	0,5 A	DIN EN 175301-803-A, ISO 4400
40	-		max. 175V DC max. 230V AC	20 VA 10 Watt	1,0 A 0,5 A	
70	2x LED		24V DC	10 VA	0,4 A with 24V DC	
80	2x LED		24V DC	20 VA	0,8 A with 24V DC	
90	2x LED		110...230V AC/DC	20 Watt	1,0 A	screw connection M20 on request

calibrated with oil at 182 SUS

Dimensions: inches

EDV 03/21

Designs and performance values are subject to change.

3. Spare parts:

item	qty.	designation	dimension	article-no.	type
1	1	O-ring	14 x 2	304342 (NBR)	versions 30 - 90
				304722 (FPM)	
2	1	O-ring	22 x 2	304708 (NBR)	
				304721 (FPM)	
3	1	line adapter	DIN EN 175301-803-A, ISO 4400 IP65 acc. to DIN EN 60529 screw connection M20 on request	312492	versions 30 and 40
	1	line adapter with LED 24V		315012	versions 70 and 80
	1	line adapter with LED 110...230V		354242	version 90

4. Symbols:

hydraulic-electrical symbol

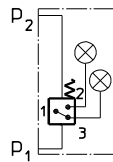
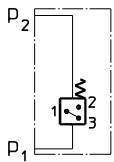
connection configuration for LED

versions
30 and 40

versions
70, 80 and 90

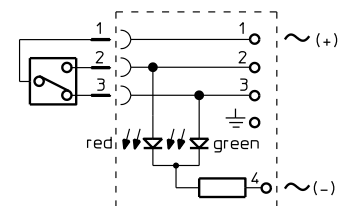
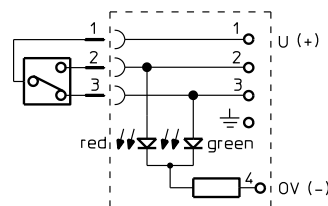
versions
70 und 80

version
90



LED 24V, U= +24DC

LED 110...230V, ~



p₁ = measure connection supply
p₂ = measure connection output

5. Description:

The AE 30 and AE 40 pollution indicators are electrical differential pressure indicators.

The AE 70 to AE 90 pollution indicators are combined optical and electrical differential pressure indicators. These differential pressure indicators can be fitted to all pressure filters ($p \leq 6000$ PSI stainless steel, $p \leq 3200$ PSI aluminium) for which there is a corresponding assignment on the relevant dimension drawing. As the degree of pollution of the filter element rises, so the difference between the entry pressure p₁ and the exit pressure p₂ of the filter increases.

Depending on this pressure difference and irrespective of the operating pressure, in the pollution indicators:

- AE 30 and AE 40, two electrical signals (contact maker/contact breaker) are triggered
- AE 70, AE80 and AE 90, two electrical signals (contact maker/contact breaker) are triggered and two optical signals are formed.

A metering piston subjected to the entry and exit pressure moves against a metering spring according to the pressure differential. Depending on the path, a permanent magnet integrated in the metering piston activates a reed contact (electromagnetic switch) and triggers the electrical signal. The electrical and optical indication is effected as a digital signal at the given switching pressure. Versions 70 to 90 of the pollution indicator are fitted with additional LED displays. The optical LED signal becomes visible according to the selected version in the translucent cover plate of the line box on the pollution indicator.

In the pollution indicators

- AE 70, AE80 and AE 90, the green LED signals the normal operating state (filter element not yet polluted to an unacceptable level), while the red LED signals that the filter element needs to be changed.

The clogging indicators meet protection class 2 according to DIN EN 61140.

6. Operating instructions:

Normally filters are supplied with mounted clogging indicator. When retrofitting - the filter is to be discharged of the operating pressure.

- dismantling the screw plug out of the bare hole which is foreseen for the clogging indicator
- screw in the clogging indicator into the bare hole (starting torque 74 lb.-ft. stainless steel, starting torque 59 lb.-ft. aluminium)

It is necessary to make sure the availability and the right positioning of sealing parts

- O-ring 22 x 2 and
- O-ring 14 x 2

as well as a dirt-free mounting. The electrical contacts are to be connected according to the graphical symbol shown on the type plate of the clogging indicator.

7. Maintenance:

The device is maintenance-free, however, note that no cleaning fluids and solvents get on the transparent cap of the optical indicator.