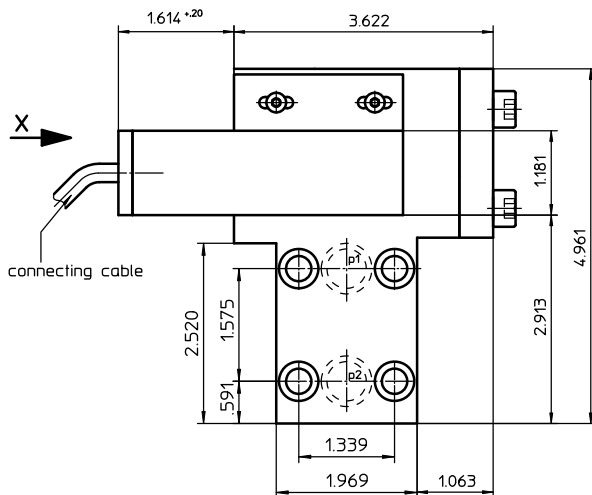
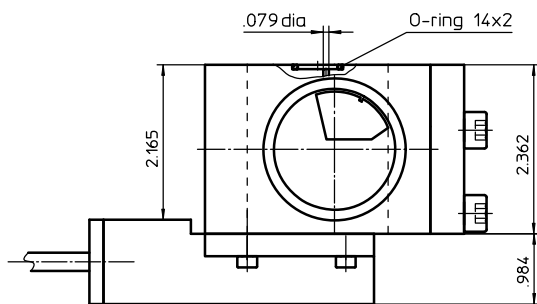
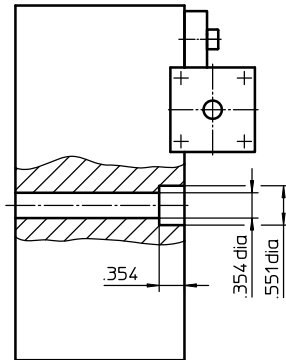


CLOGGING INDICATOR

Series OE (visual-electrical, block execution) explosion-proof

Sheet No.
1629 F

view X



1. Type index: (ordering example)

OE. 1,2. B. -. P. VA. Ex

1	2	3	4	5	6	7
---	---	---	---	---	---	---

1 series:

OE = clogging indicator, visual-electrical with 1 contact maker with 70% switching pressure difference

2 indicator-pressure difference: Δp -nominal

0,8 = 12 PSI
1,2 = 17 PSI
2,5 = 36 PSI
4,5 = 65 PSI

3 connection:

B = block execution with flange connection

4 connection size:

- = standard

5 sealing material:

P = Nitrile (NBR)
V = Viton (FPM)

6 material:

VA = stainless steel

7 execution:

EX = explosion-proof

2. Technical data:

permissible operating pressure: 914 PSI
permissible fluid temperature:
- Nitrile (NBR) -13°F to +176°F
- Viton (FPM) +14°F to +176°F
permissible ambient temperature: -40°F to +140°F
permissible pressure difference: $p_1 - p_2 \leq 232$ PSI
indicator-pressure difference Δp : 12; 17; 36; 65 PSI

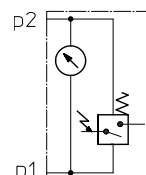
The electrical signal takes place at 70% of the switching pressure difference.

3. Electrical data switching contact:

contact design: reed contact - normally open
max. switching voltage: 200V DC
250V AC peak - peak
max. switching current: 1 A
max. breaking capacity: 30 Watt
type of protection: Ex II 2 GD Ex mb II T6
KEMA 00ATEX 1112 X
IP 65

certificated
operating temperature range: -40°F to +140°C
connecting cable: HO5RN 2x .03 inch
length connecting cable: max. 196 inch

4. Symbol:



1+2 normally open

Dimensions: inches

EDV 05/19

Designs and performance values are subject to change.

EATON
Powering Business Worldwide

Friedensstrasse 41, 68804 Altlussheim, Germany

phone +49 (0)6205 2094-0
fax +49 (0)6205 2094-40

e-mail filtration@eaton.com
url www.eaton.com/filtration

EATON
Powering Business Worldwide

5. Functioning:

The clogging indicator OE is a combined visual and electrical pressure difference indicator.

This type of pressure difference indicator can be mounted on all pressure filters with operating pressure ≤ 914 PSI, if the corresponding measuring ports on the filter housing are available.

With contamination of the filter element the difference between the supply pressure and the output pressure of the filter is increasing. Depending on this pressure difference but independent of the operating pressure, visual and electrical signals are released.

The visual control signal is indicated by a blue-red scale which is connected to the magnetic measuring piston.

In the range of low pressure differences - depending on the gauge length of the measuring piston - the blue range of the scale appears first.

The indicated switching pressure difference is reached when the dividing line between the red and the blue range of the scale points to the marking on the display window.

6. Operating instruction:

- Connection

Upon connecting the indicator to the filter make sure that the connection marked „+“ is connected to the dirt oil side (IN) and the connection marked „-“ is connected to the clean oil side (OUT).

Note: Consider data and connecting conditions mentioned in items 2 to 4.

7. Maintenance:

The device is maintenance-free. However, make sure that no solvents get in touch with the display window visual indicator nor with the piston-spring-system of the clogging indicator.